

## Installation & Troubleshooting Checklist for S2.3P-PELD-XXX products

### Installation Check List (On-Site)

- Is the primary current of the CT Clamps sized according to the main connection?
- Are the CT Clamps measuring the current to/from the grid? (See Figure 4.5 from the manual below)
- Are each of the CT Clamps placed on the phase that matches the PELD input and facing the correct direction?
  - When AC switch is off on the inverters, all currents should be negative on the PELD display. (Note: Power will display in Helios and MyAutarco as positive)
- Place the PELD close to the meter board. Table A shows the maximum length for Autarco provided meters.
  - For other meters you may refer to this website to determine the max length <https://www.se.com/ww/en/faqs/FA212605/>
- Is the Address on the PELD 01?
- Is the first inverter connected to the PELD with Address 01? And all following inverters Address set numerically?
  - Note: It is not possible to set the inverter Address remotely so this must be done correctly on site. Can only be viewed remotely.
- Is the Total Capacity set on the PELD matching with the total capacity of inverters.
  - Note: It is not possible to set the inverter Capacity remotely so this must be done correctly on site. Can only be viewed remotely.
- Are the RS485 cables linking the PELD to each inverter connected in sequence, i.e. + to + and - to -, which is A to A and B to B.
- Is the Monitoring Device installed in the PELD and not the inverter?

### Helios: Digital O&M Checklist:

When the On-Site checklist is completed it should ensure all data is displayed correctly in Helios. After selecting the relevant System in Helios, go to "Asset Management - > Digital O&M".

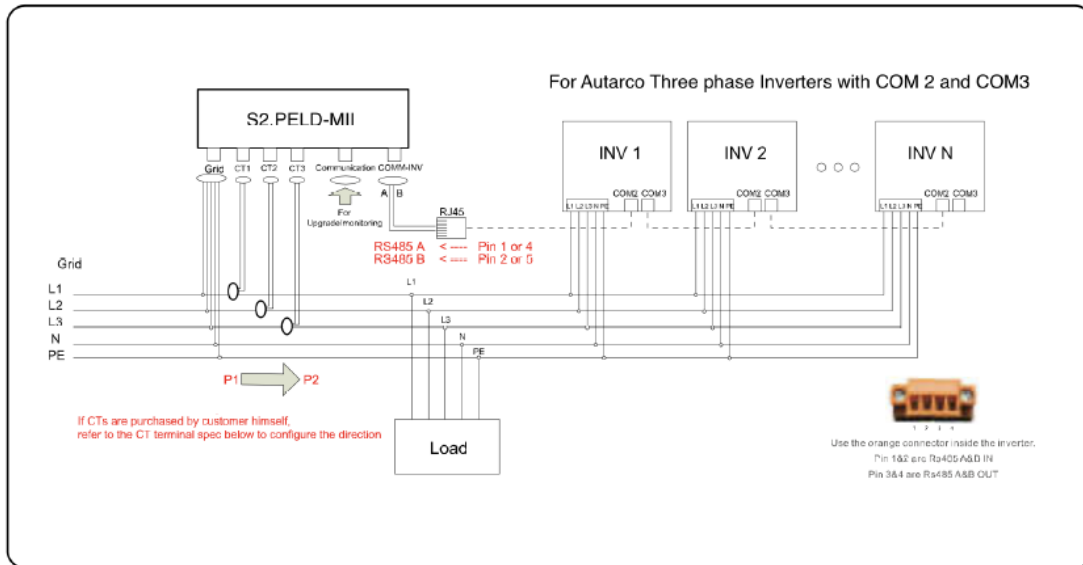
PELD Status;

- Are the CT readings in line with consumption when the inverters have AC switch off? All power readings should be positive in Helios.
- Is the number of connected inverters correct?

PELD Settings;

- Is CT Ratio on the PELD matching the CT used?
  - See Table A below for Autarco supplied CT.
- Is the Backflow Power correct?
- Is Failsafe turned on for all inverters and the PELD?
  - This is optional, but recommended
- If loads are unbalanced, is the work mode set to "min of one phase"?

**Figure 4.5: PELD and CT wiring**



*Figure 4.5: Three-phase system with Autarco S2.3P-PELD-MII*

**Table A: CT Ratio and max distance for Autarco supplied CT**

	Clamp Primary/Secondary Current	PELD Setting: CT Ratio	Wiring included yes/no	Max Distance from PELD
<b>ACREL 150A (AKH-0.66/K-Φ24 150/5)</b>	150:5	30	Yes	1m
<b>S2.CT-30x15-300A.1</b>	300:5	60	No	2m (with 1.5mm wires)