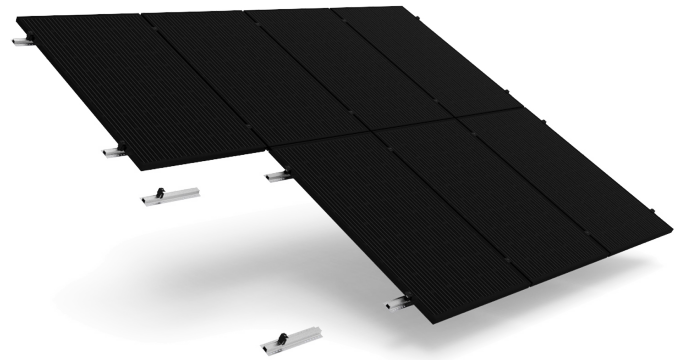


Minirail

Series

This mounting system uses Minirails for optimal economics in commercial rooftop solar PV installations on corrugated sheet roofs.

- + 10-year product warranty
- + Trapezoidal pitched roof system
- + Landscape or portrait mounting
- + Easy installation
- + Optimal economics



Quality Certificates

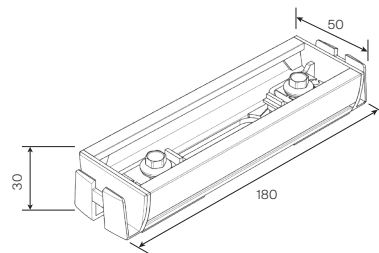
- + ISO 9001, 14001, 18001



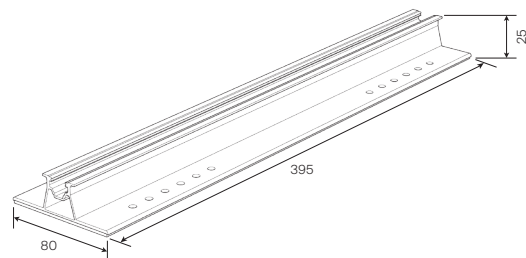
Physical properties

Maximum roof pitch	< 60°
Material	Aluminium
Suitable rooftypes	Corrugated sheet pitched roofs
Finishing	Fitted with EPDM

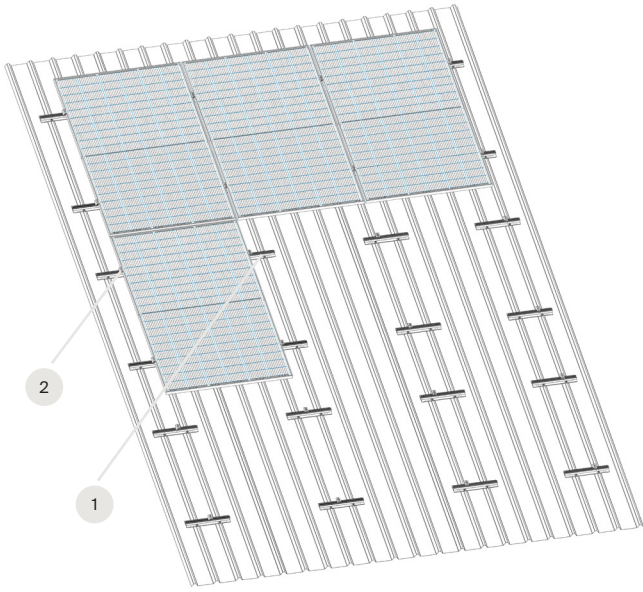
Bracket landscape mounting (mm)



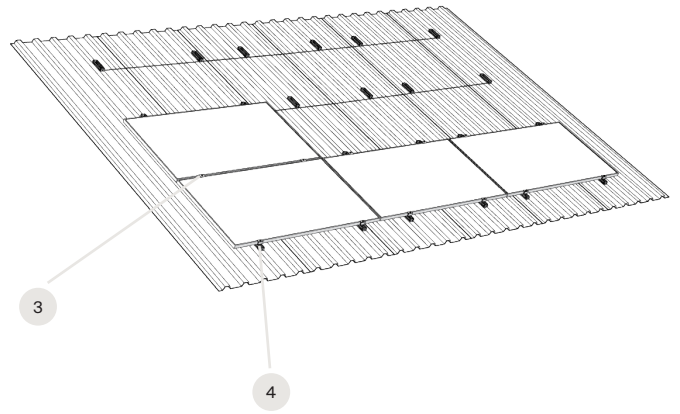
Bracket portrait mounting (mm)



Portrait Mounting



Landscape Mounting



System components

AR6 bracket 395mm for portrait mounting

M2.AR6TRL395



System components

R5 bracket 150mm for landscape mounting

M2.R5CRXL150



Fastenings

1 Middle clamp

M1.AR6(B)MC



2 End clamp

M1.AR6(B)EC



Fastenings

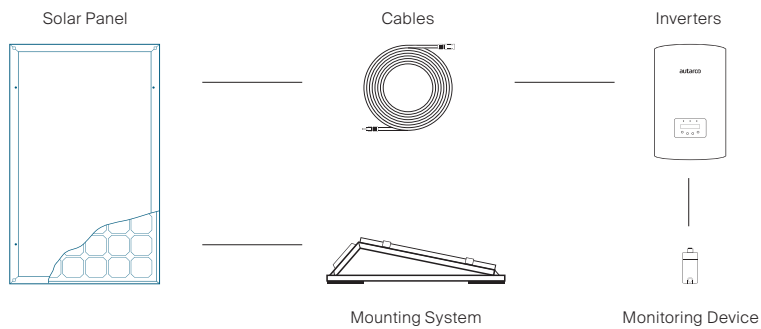
3 Middle clamp

M1.R5CRX0(B)MC



4 End clamp

M1.R5CRX-(B)EC



The specifications contained in this datasheet may deviate slightly from our actual products due to on-going product improvement and are subject to change at any time without prior notice.