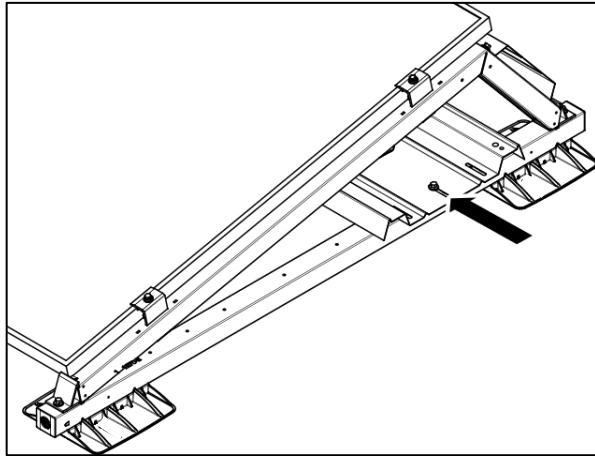
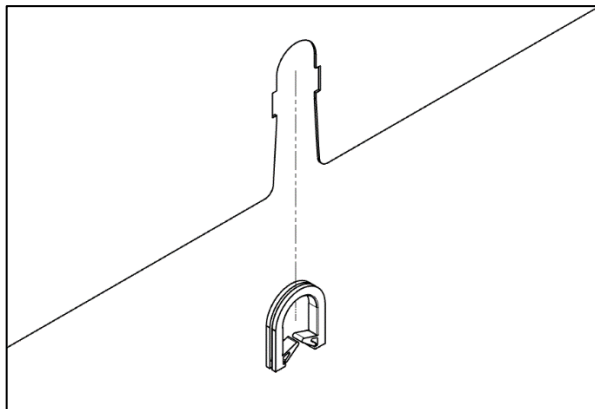


Autarco Matrix

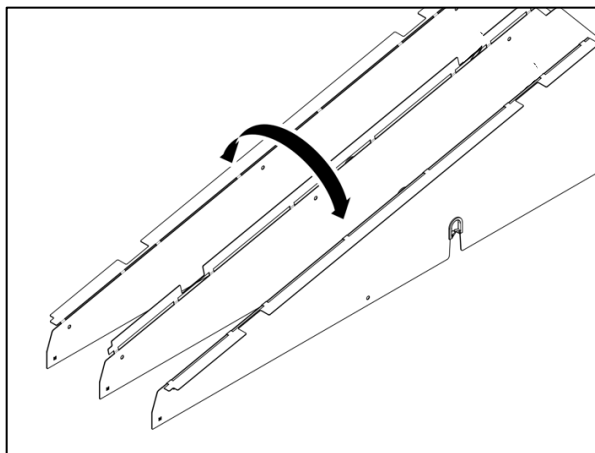
Mounting instruction side plates



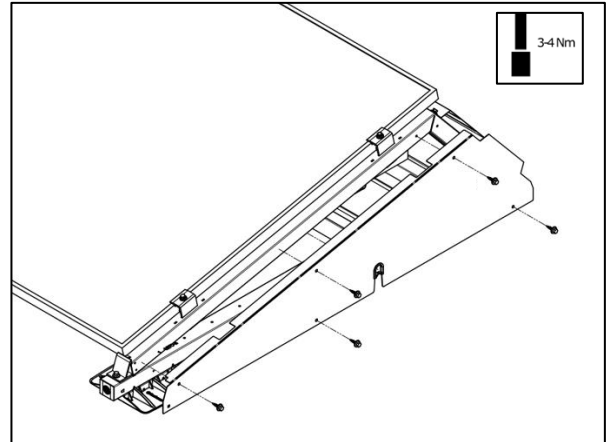
1. When mounting Autarco Matrix, place the ballast plates more inwards or grind them down so that they are flush with the base unit.



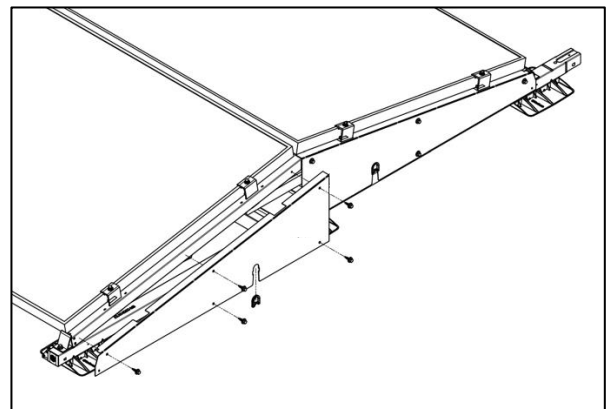
2. Click the cable protector into the side plate.



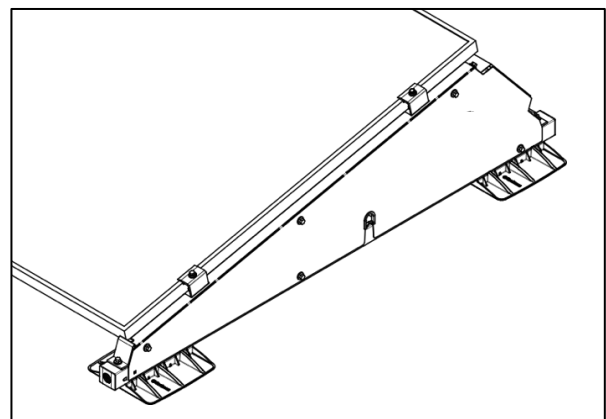
3. Fold over the top edge of the side plate. You can use the side plate for both the left and right sides of the mounting system.



4. Place the side plate on the system. If necessary, press the cables into the cable protector. Screw the side plate with the five screws.



5. For Autarco Matrix Symmetrical: repeat steps 2 to 4 for the second part.



6. Repeat the steps for the remaining side plates.