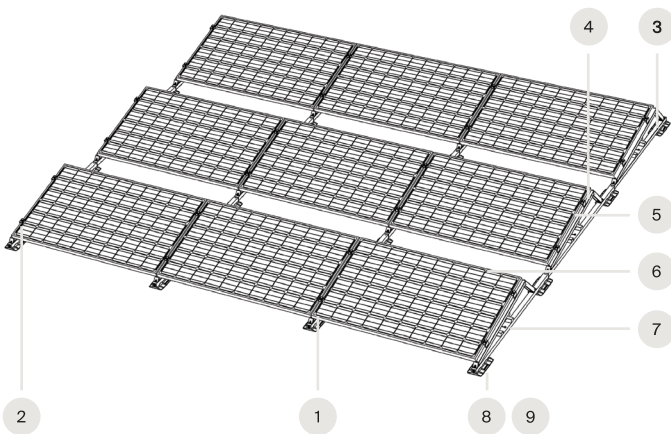
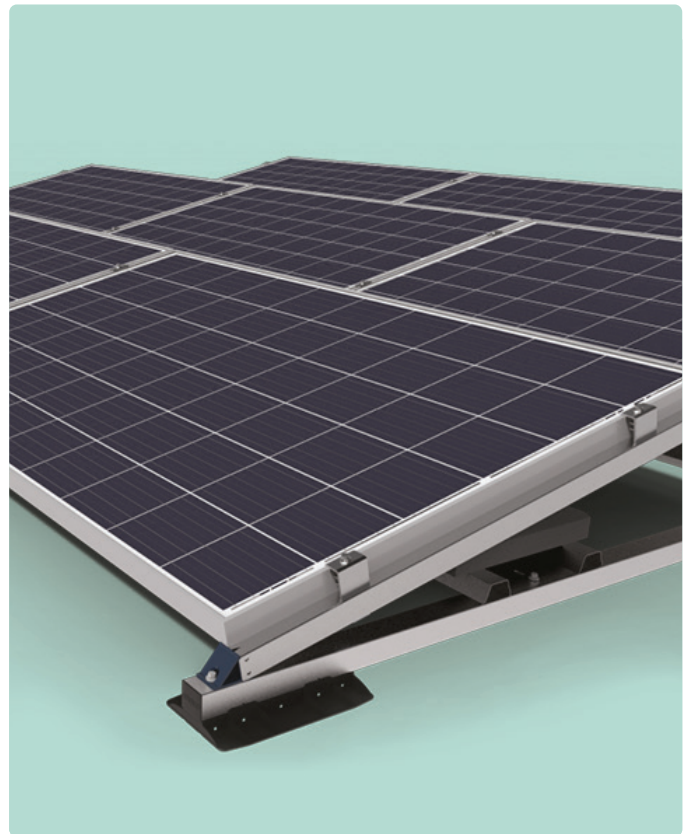


Matrix

Universal series

The Autarco Matrix mounting system has grown into one of the most popular mounting systems for solar panels on flat roofs, based on quality, service and ease of installation. It is ideal for both large and small installations. Thanks to the smart and stable construction, ultra-fast assembly is possible whilst ensuring the solar panels are safely supported.

- + 10-year product warranty
- + Flat roof system
- + Landscape orientation
- + One tool required for installation
- + Suitable for different module thicknesses
- + Install up till 5 degree surface inclination



Fastenings

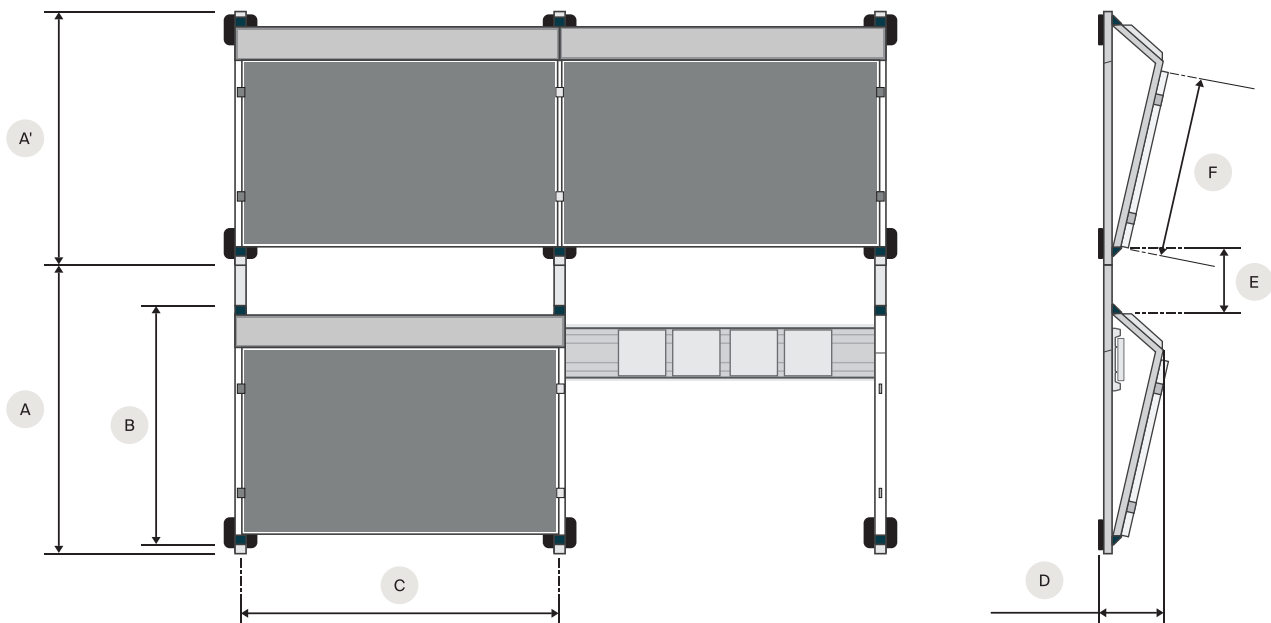
| | | | |
|--|---|-------------|-----------|
| | 1 | End clamp | M3.MMC(B) |
| | 2 | Mid clamp | M3.MEC(B) |
| | | Short screw | M3.MSS |
| | | Clamp screw | M3.MCS(B) |

Optional components

| | | |
|--|--------------|--------|
| | Rubber block | M3.MRB |
| | Rubber mat | M3.MRM |

System components

| | | | |
|--|---|-------------------------------|--------------------------|
| | 3 | Base unit (without connector) | M3.MBU-1270E/1395E |
| | 4 | Base unit (with connector) | M3.MBU-1300M/1500M/1700M |
| | 5 | Carrier | M3.MC-12-50/50-XL |
| | 6 | Wind plate | M3.MWP-1825/1975/2200 |
| | 7 | Ballast plate | M3.MBP-1825/1975/2200 |
| | 8 | Foot | M3.MF |
| | 9 | Booster Foot | M3.MBF |

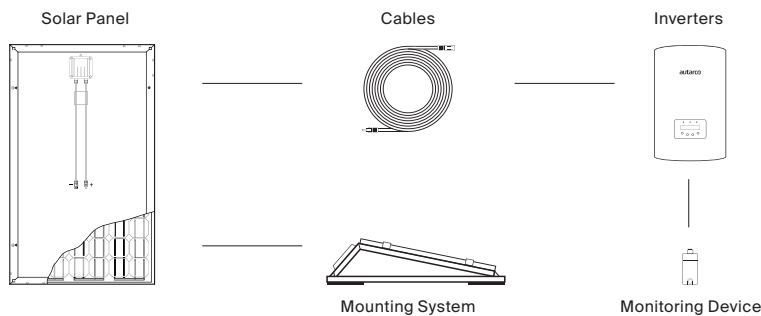


| | UNIVERSAL 1300 | UNIVERSAL 1500 | UNIVERSAL 1700 | UNIVERSAL END PIECE |
|---------------------------|---------------------------------------|----------------------------|----------------------------|----------------------------|
| A Base unit (mm) | 1300 | 1500 | 1700 | 1270 / 1395 (A') |
| B Carrier | Universal | Universal | Universal | Universal |
| C Distance (mm) | Panel + 10 | Panel + 10 | Panel + 10 | Panel + 10 |
| D Distance (mm) | 306 | 306 | 306 | 306 |
| E Walkway (mm) | 150 | 350 | 550 | NVT |
| F Panel width (mm) | max. 1105* | max. 1105* | max. 1105* | max. 1105* |
| Panel angle | 12 ° | 12 ° | 12 ° | 12 ° |
| Panel type | MHI series | MHI, MHJ, MHL & TBJ series | MHI, MHJ, MHL & TBJ series | MHI, MHJ, MHL & TBJ series |
| Material | Magnelis®, aluminium, stainless steel | | | |

Suitable rooftypes Flat roofs (Bitumen, PVC, EPDM, TPO); Up to 5 degree surface inclination

* The carrier support extends up to 1000 mm.

| | MIN. PANEL LENGHT | MAX. PANEL LENGHT |
|---------------------|-------------------|-------------------|
| Ballast / Wind 1825 | 1701 mm | 1781 mm |
| Ballast / Wind 2050 | 1926 mm | 2006 mm |
| Ballast / Wind 2125 | 2001 mm | 2081 mm |



The specifications contained in this datasheet may deviate slightly from our actual products due to on-going product improvement and are subject to change at any time without prior notice.