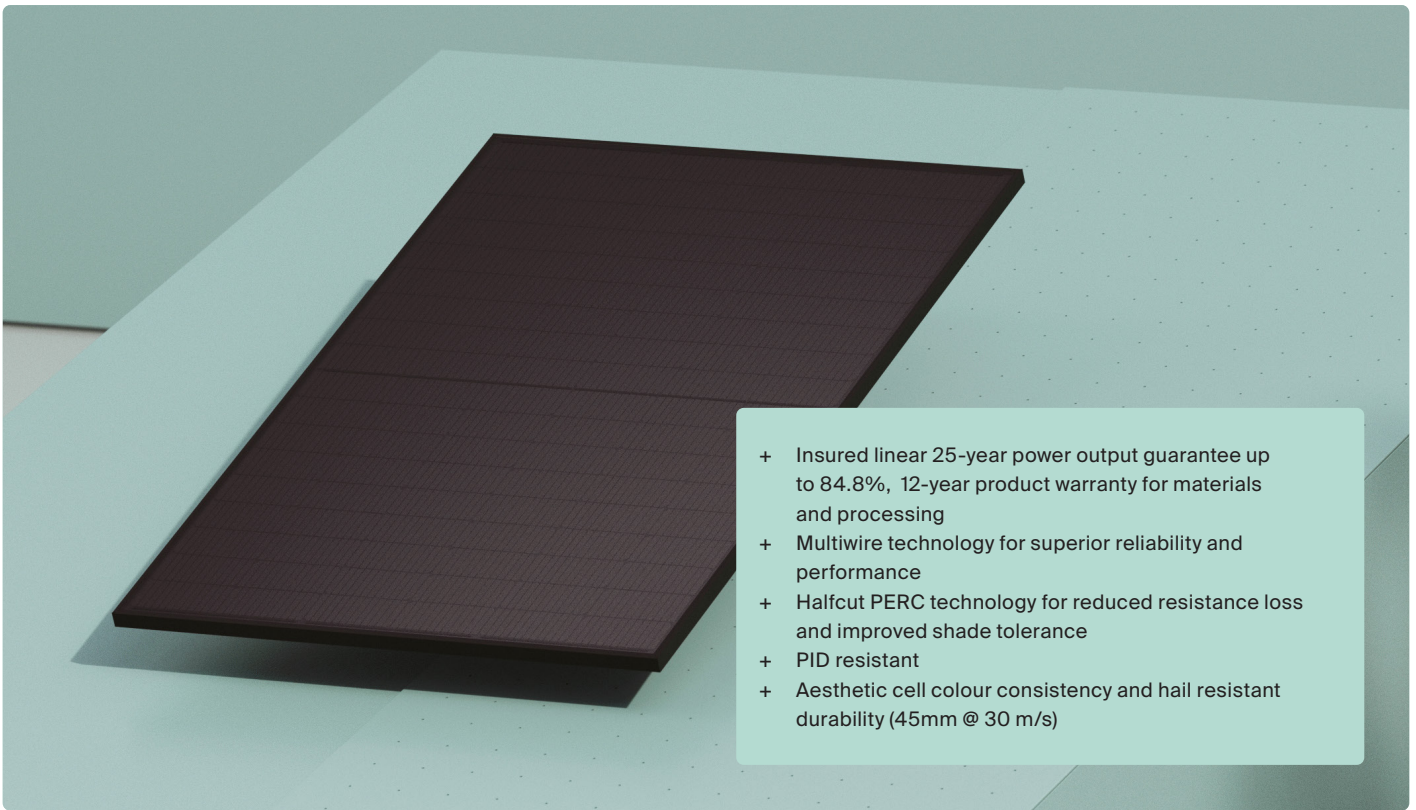


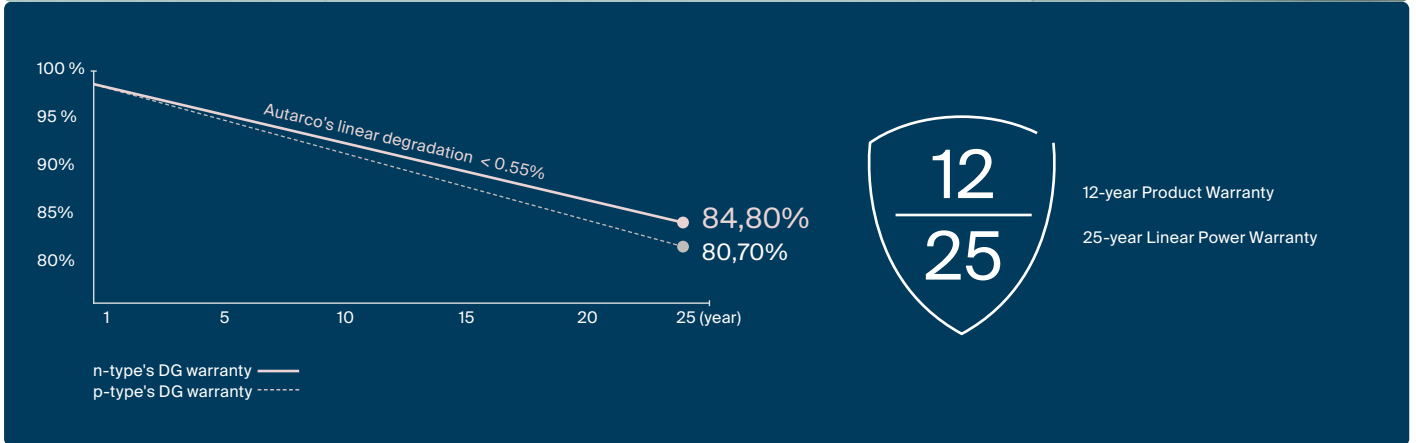
MHJ Full Black

Series solar panels

Reach full potential



- + Insured linear 25-year power output guarantee up to 84.8%, 12-year product warranty for materials and processing
- + Multiwire technology for superior reliability and performance
- + Halfcut PERC technology for reduced resistance loss and improved shade tolerance
- + PID resistant
- + Aesthetic cell colour consistency and hail resistant durability (45mm @ 30 m/s)



400~415W

Power Range

0~+5W

Power Tolerance

21.3%

Max Module Efficiency

≤ 2.0%

First Year Power Degradation

≤ 0.55%

Year 2-25 Power Degradation

Electrical specification

STC: Irradiance 1000W/m², Cell Temperature 25 °C, AM=1.5

Rated output (P _{mpp} / W _p)	390	395	400	405
Open circuit voltage (V _{oc} / V)	36.60	36.80	37.00	37.20
Short circuit current (I _{sc} / A)	13.40	13.52	13.65	13.76
Rated voltage (V _{mpp} / V)	30.76	30.92	31.09	31.26
Rated current (I _{mpp} / A)	12.68	12.77	12.86	12.96
Module efficiency	20.0%	20.2%	20.5%	20.7%

NMOT: Irradiance 800W/m², Ambient Temperature 20 °C, AM=1.5, Wind Speed 1m/s

Rated output (P _{mpp} / W _p)	390	395	400	405
Open circuit voltage (V _{oc} / V)	34.59	34.78	34.97	35.15
Short circuit current (I _{sc} / A)	10.78	10.97	11.07	11.17
Rated voltage (V _{mpp} / V)	28.66	28.82	28.98	29.13
Rated current (I _{mpp} / A)	10.17	10.24	10.32	10.39

Temperature ratings

Temp. coefficient (P _{mpp})	-0.34% / °C
Temp. coefficient (I _{sc})	+0.04% / °C
Temp. coefficient (V _{oc})	-0.25% / °C
Nominal module operating temperature (NMOT)	41°C (+/- 2°C)

Operating parameters

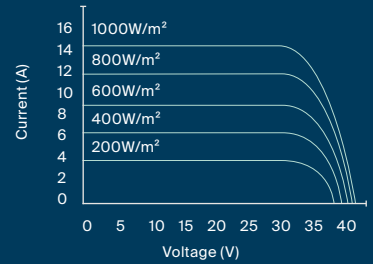
No. of diodes	3
Junction Box IP rating	IP 68
Max. series fuse rating	25 A
Max. system voltage (IEC/UL)	1000V _{dc} or 1500V _{dc}

Mechanical specifications

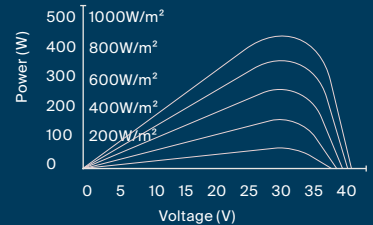
Dimensions (W x H x D)	1722 x 1134 x 30mm
Cells	108 (182 x 91 mm), P type mono-crystalline, in a 2 x 6 x 9 matrix connected in series
Frame technology	Aluminum, black or silver anodized
Construction	Front: 3.2mm glass (coated) Backsheet: PET/F-coating (black) Encapsulant: EVA
Cable length (IEC/UL)	Portrait: (+)350 mm, (-)250 mm; Customized length
Cable diameter (IED/UL)	4 mm ² / 12 AWG
Max. mechanical test load	5400 (front) / 2400 Pa (back)
Connector type (IEC/UL)	HCB40 (Standard) MC4, MC4-EVO2A (Optional)
Operating temperature	-40°C to 85°C
Passed hail test	45mm hail @ 30.7m/s
Fire performance	Class C (IEC) or Type 2 (UL)
Module weight	21.3 kg
Packing unit	36 pcs / box (Subject to sales contract)
Weight of packing unit	811 kg
Quantity per 40'HQ container	936 pcs

Curve

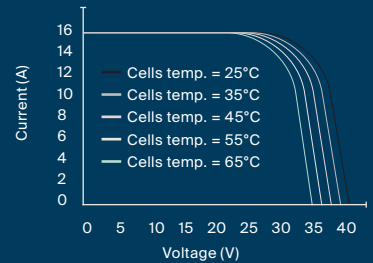
Current-Voltage (410W)



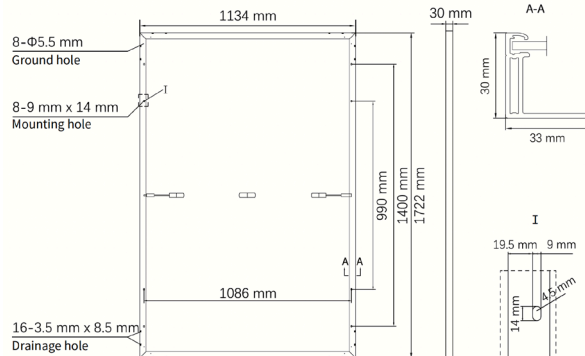
Power-Voltage (410W)



Current-Voltage (410W)



Solar panel



Frame cross section

Refer to Autarco installation manual or contact technical department. Maximum Mechanical Test Load=1.5×Maximum Mechanical Design Load.

© Autarco Group B.V. Reserves the right of final interpretation. Please contact our company to use the latest version for contract.